

Product Datasheet of connector

TYPE : PV-JK03M

ISO9001:2008、ISO14001:2004、OHSAS18001
certified factory.

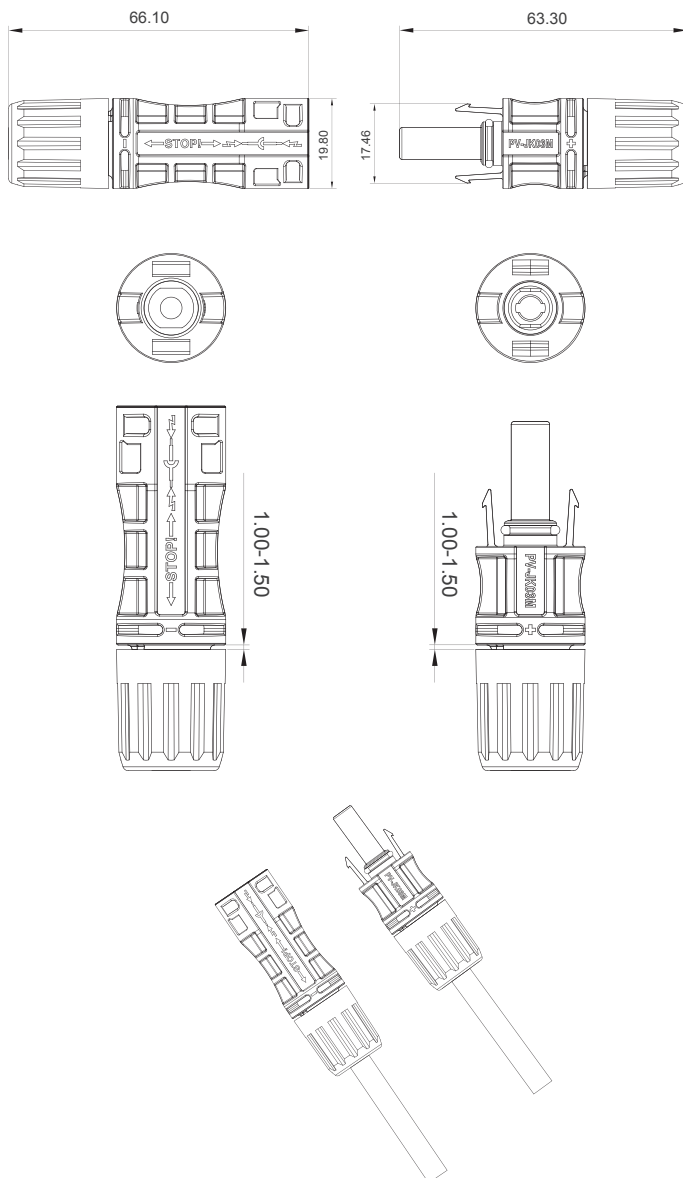
TUV Rheinland, UL certified products

* 1500V Available

Model of PV Connector: PV-JK03M



Engineering Drawing



Technical Parameters

Electrical Characteristics	
Rated Voltage	1000VDC / 1500VDC (UL)
Rated Impulse Voltage	12000V / 16000V
Rated Insulation Voltage	6000V / 8000V
Rated Current (IEC 85°C)	20A (UL)
Contact Resistance	<0.5 mΩ
Test Voltage	6KV / 8KV (50H,1min)
Protection Class	Class II
Overvoltage Category	CAT III
Pollution Degree	2
Mechanical Characteristics	
Dimensions Female	63.30mm*17.46mm
Dimensions Male	66.10mm*19.80mm
IP Rating	IP67
Conductor Material	Copper,tin plated
Cable Type	12AWG / 10AWG
Insulation Material	PPE + PA
Bendings Radius	≥ 4 * Cable OD
Termination and Connection	Crimped Connection
Other Characteristics	
Ambient Temperature	From -40°C to +85°C
Upper limit Temperature	100°C
Flame Class	UL94 5VA(UL)
Reference Standard	UL1703 & UL6703
Operating Cycles	100
Wire cross section area or cross section range	1*4.0mm ² ;1*6.0mm ²