



VRLA Rechargeable Battery

BPS100-12



FEATURES

- Maintenance free(no water topping-up required).
- No free acid(Non-spillable battery).
- Low self-discharge rate, lower than 3% capacity loss per month.
- Can be used in any orientation(excluding used inverted).
- Flame-arrestor is installed to ensure safety.
- Carry handles for easy installation.
- Absorbent Glass Mat technology for efficient gas recombination.


APPLICATION

- UPS
- Telecom
- Golf-Carts




SPECIFICATIONS

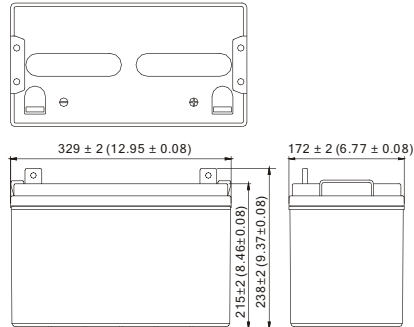
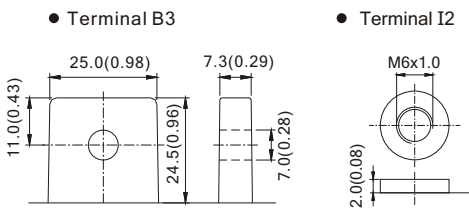
| | |
|-----------------------------|--|
| Nominal Voltage | 12 V |
| Nominal Capacity | 100Ah @ 20 hour rate F.V.(1.75V/cell) |
| Approx. Weight | 32.7Kg(72.1lbs.) |
| Terminals | B3 (Fitting M6 bolt & nut) I2 is optional |
| Internal Resistance | ≤4.5mΩ (Fully Charged) |
| Max. Discharge Current | 800 A (5 sec.) |
| Max. Charge Current | 30 A |
| Operating Temperature Range | Charge : 0°C~40°C(32°F~104°F) Discharge : -20°C~50°C(-4°F~122°F) Storage. : -20°C~40°C(-4°F~104°F) |
| Container Material | Standard: ABS(UL 94-HB) BPS100-12 Optional: Flame Retardant ABS (UL 94-V0) BPS100-12FR |



MH19884



- IEC 60896-21/22
- JIS C 8704-2
- GB/T 19638.2

| DIMENSION(mm/inch) | OUTER DIMENSIONS | TERMINAL TYPE |
|--|---|--|
| <ul style="list-style-type: none"> ■ Length 329±2.0 (12.95±0.08) ■ Width 172±2.0 (6.77±0.08) ■ Container Height 215±2.0 (8.46±0.08) ■ Total Height B3:238±2.0 (9.37±0.08) I2:218.5±2.0 (8.60±0.08) |  | <ul style="list-style-type: none"> ● Terminal B3 ● Terminal I2  <p>[M6 BOLT & NUT] [M6 BOLT]</p> <p>Terminal Hardware Initial Torque: B3,I2(5.5Nm±5%)</p> |

Constant power discharge characteristics at 25 °C/77 °F Unit: W

| F.V. (V/cell) \ Discharge Time | 15 Min | 30 Min | 1 Hr | 3 Hr | 5 Hr | 10 Hr | 20 Hr |
|--------------------------------|--------|--------|-------|-------|-------|--------|-------|
| 1.80V | 2065 | 1256 | 727.8 | 291.5 | 201.0 | 112.31 | 59.10 |
| 1.75V | 2160 | 1304 | 749.6 | 297.3 | 204.0 | 114.00 | 60.00 |
| 1.70V | 2226 | 1334 | 763.1 | 300.0 | 205.1 | 114.57 | 60.31 |
| 1.65V | 2278 | 1353 | 772.3 | 302.1 | 205.8 | 114.91 | 60.48 |
| 1.60V | 2323 | 1366 | 780.0 | 303.9 | 206.4 | 114.91 | 60.48 |

Constant current discharge characteristics at 25 °C/77 °F Unit: A

| F.V. (V/cell) \ Discharge Time | 15 Min | 30 Min | 1 Hr | 3 Hr | 5 Hr | 10 Hr | 20 Hr |
|--------------------------------|--------|--------|-------|-------|-------|-------|-------|
| 1.80V | 184.6 | 107.5 | 61.16 | 24.29 | 16.75 | 9.36 | 4.93 |
| 1.75V | 193.0 | 111.6 | 62.99 | 24.78 | 17.00 | 9.50 | 5.00 |
| 1.70V | 199.0 | 114.2 | 64.13 | 25.00 | 17.09 | 9.55 | 5.03 |
| 1.65V | 203.6 | 115.8 | 64.90 | 25.17 | 17.15 | 9.58 | 5.04 |
| 1.60V | 207.7 | 116.9 | 65.55 | 25.33 | 17.20 | 9.58 | 5.04 |

All data shall be changed without prior notice, BB reserves the right to explain and update the information contained hereinto.